

SPECIFICATIONS:

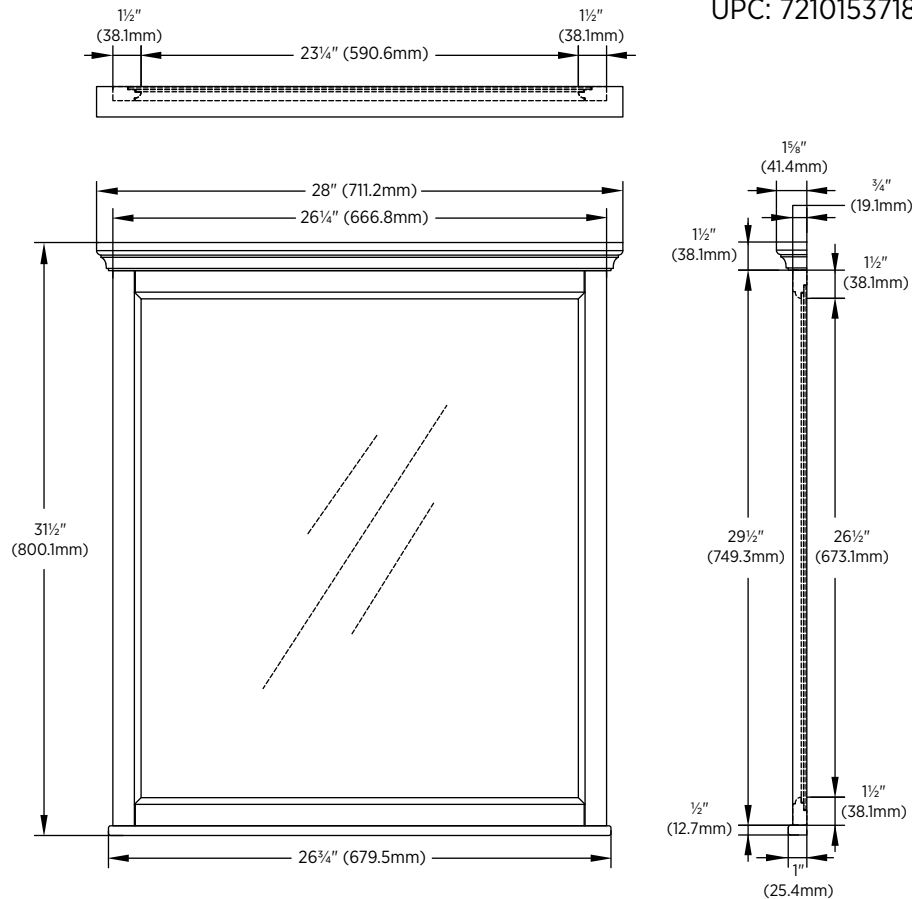
- White or grey finish
- Decorative frame
- Pre-attached mounting hardware
- Fully assembled

OVERALL DIMENSIONS:

28" (W) x 1 $\frac{5}{8}$ " (D) x 31 $\frac{1}{2}$ " (H)
711.2mm (W) x 41.4mm (D) x 800.1mm (H)

SHIPPING:

Cube 2.59
GW 16.72 lbs



ITEMS TO BE SPECIFIED:

WHITE:

ASWM2831

UPC: 721015372523

GREY:

ASGRM2831

UPC: 721015371847

Notes:

Important: Dimensions of product are nominal and may vary within the range of tolerances allowed. These measurements are subject to change or cancellation. No responsibility is assumed for use of superseded or voided pages.